

Wiring E27 Switched Lampholder

For further information visit:
support.lampspares.co.uk
Search for IS-ESSW in the search box.

Ref:
IS-ESSW

Kit Contains:

1x E27 Lampholder Cap
1x E27 Lampholder Switched Insert
1x E27 Lampholder Skirt

Before you start please ensure you are competent to carry out electrical works and ensure the electricity is turned off.

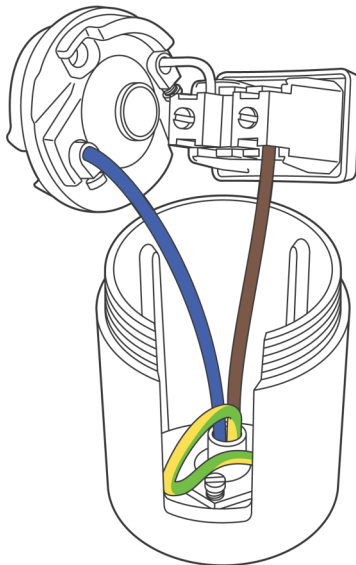
If in any doubt stop what you're doing and seek professional advice.

Step 1: Mount the lampholder cap on the 10mm male thread of the lamp fitting.

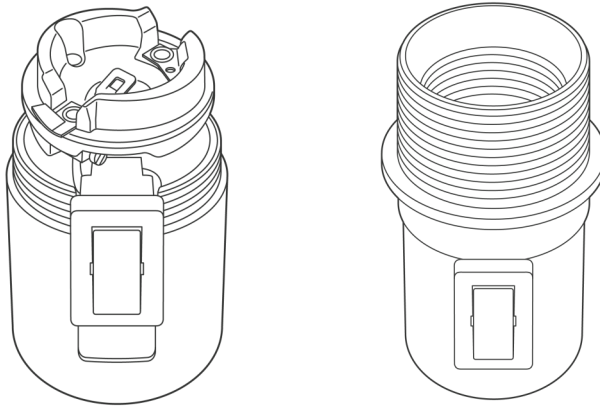
Step 2: Feed the Cable up the lamp into the lampholder's cap.

Step 3: Wire the Brown (Live) into the terminal on the switch and the Blue (Neutral) into the terminal on the round part as shown below.

The black lampholder cap has an earth block for the earth cable.



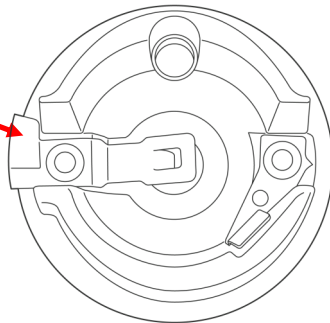
Step 4: Sit the switched insert carefully into the cap. Carefully screw the skirt onto the cap which will hold the insert in place. This will click as its tightened up which is the locking device.



Step 5: If you need to open the lampholder depress the barb whilst turning the skirt anti-clockwise. Locking Device barb is shown below.

Press Down here to unlock.

This will need to be located inside the lampholder, so can be difficult to find.



If you have any concerns or difficulties in connecting this product please contact us on details at the bottom of this guide.

All electrical parts confirm to the relevant BS numbers and have full CE approval, please email for copies.



Unit 3 Brookside Business Park | Brookside Avenue | Rustington | West Sussex | BN16 3LP

T: 01903 776644 | KB: support.lampspares.co.uk

© Lampspares. All Rights Reserved